

Authorised Dealer;
PUSHKARNA SALES PVT LTD.
4772, Hauz Qazi. Delhi-06.
Phones; 011-43675881/9818453355.
Email; sales@pushkarnasales.com
Site; www.pushkarnasales.com

ANSI / AWWA STANDARD BONNETED / BONNETLESS KNIFE EDGE GATE VALVE

The **U-205** Uni - Directional Lug type Bonneted / Bonnet less Knife Edge Gate Valve is designed & manufactured by **V-TORK**[®], a pioneer in Knife Edge Gate Valve manufacturing. The Valve meets **ANSI/AWWA C520-10** Standard Requirement & can be used for a broad range of water, sewage treatment applications. The **U-205** is also available with a Fabricated Bonnet which eliminates all possible Potential Leak paths. The Bonneted Construction & O-ring Assembly eliminates Leakage through stem and prevents the exposure of gate to atmosphere. And the Full Port Design offers Maximum Flow Rate through the Valve. The **U-205** is a best economical choice for water, waste water, and reclinod water systems with P^H Range 6-12 and a temperature range from -33°F to 125°F (0.6°C – 52°C).

DESIGN / MANUFACTURING / TESTING STANDARD



SIZE RANGE

2" to 96" (50MM to 2400MM)

PRESSURE RATING

150PSI CWP (1030 kPa)

SEATING

Metal Seated, Soft Seated

OPERATION

Hand Wheel, Chain Wheel, Bevel Gear
Hydraulic Cylinder, Pneumatic Cylinder
Electrical Actuator etc.

ACCESSORIES

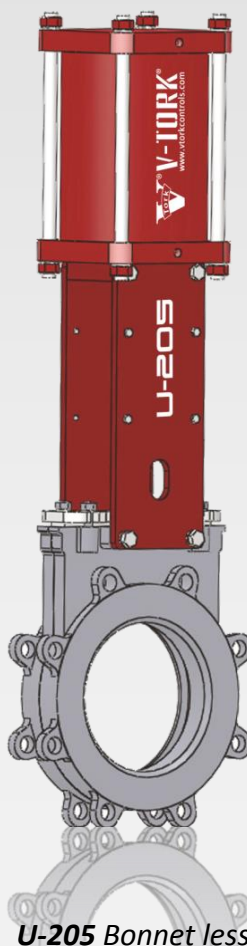
Limit Switch, Solenoid Valve, Positioner
Air Filter Regulator etc.

APPLICATIONS

Water, Sewage, Paper, Mining, Power,
Hydro Dams (Larger Size), etc.

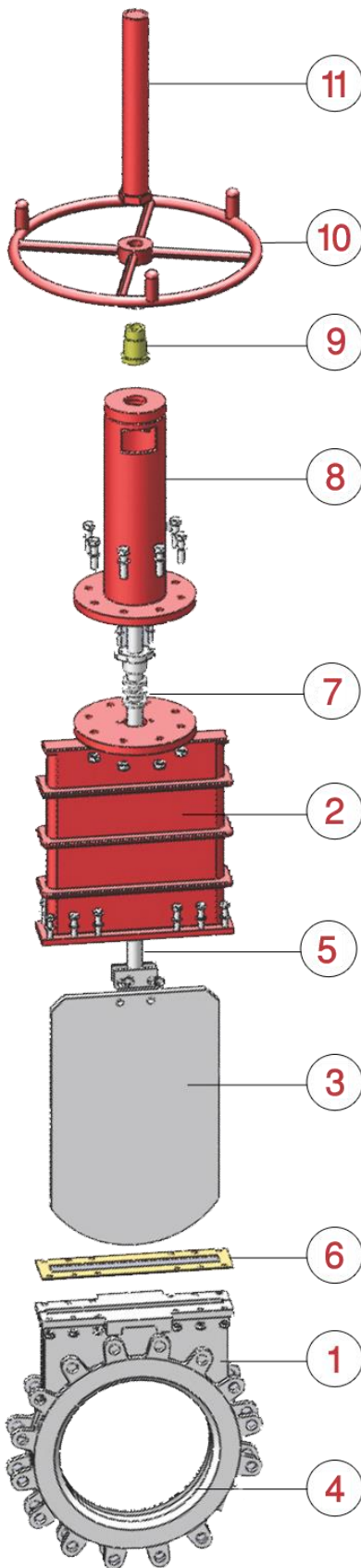


U-205 Bonneted



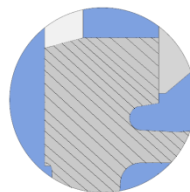
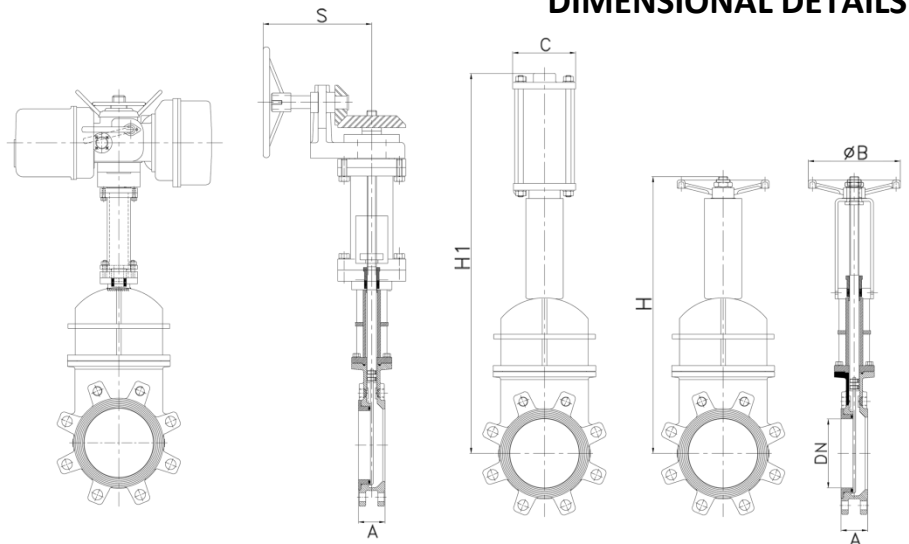
U-205 Bonnet less

MATERIAL OF CONSTRUCTION

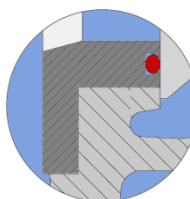


SL No	Part Name	Material							
		Ductile Iron	Cast Steel	CF8	CF8M	CF3M	CG8M	CG3M	
1	Body	ASTM A 536 Gr. 60-40-18	ASTM A 536 Gr. 65-45-12	ASTM A 216 Gr. WCB	ASTM A 351 Gr. CF8	ASTM A 351 Gr. CF8M	ASTM A 351 Gr. CF3M	ASTM A 351 Gr. CG8M	ASTM A 351 Gr. CG3M
		Mild Steel IS 2062		SS304	SS316	SS316L	SS317	SS317L	
3	Gate	ASTM A240 Gr. SS 304			ASTM A240 Gr. SS 316	ASTM A240 Gr. SS 316L	ASTM A240 Gr. SS 317	ASTM A240 Gr. SS 317L	
4	Seat	Metal Integral to Body / Soft Seat with Metal Back Up Ring – Body Material, Seat Material – EPDM/Silicon							
5	Stem	SS 410 / SS 304							
6	Gasket	EPDM							
7	O-Ring	EPDM							
8	Support Pipe	Mild Steel IS2062							
9	Stem Nut	Brass							
10	Hand Wheel	Cast Iron / Fabricated							
11	Stem Protector	MS Pipe – Powder Coated							
-	Fasteners	Steel / SS304							

DIMENSIONAL DETAILS



Metal Seated



Soft Seated

DN	A	φB	C	H	H1	S
50	48	225	115	350	415	225
80	51	225	115	400	495	225
100	51	225	115	460	560	225
150	57	225	140	590	710	225
200	70	310	175	740	870	225
250	70	310	220	920	1040	225
300	76	410	220	1060	1190	225
350	76	410	277	1200	1390	300
400	89	410	277	1160	1540	300
450	89	550	382	1260	1710	300
500	114	550	382	1300	1870	300
600	114	800	444	1420	2175	300

DISCLAIMER: V-TORK® cannot accept responsibility for possible errors in catalogues, brochures, other printed materials, and website information. V-TORK® reserved right to alter its products without notice including products already on order provided that such alteration can be made without changes being necessary in specifications already agreed. The V-TORK® & V-TORK® Logo types are registered trademarks of V-TORK CONTROLS®. AWWA® is the registered trademark of American Water Works Association®. ANSI® is the registered trademark of American National Standards Institute. All rights reserved.



Regd. Office: E-71, Sidco Industrial Estate, Kurichi, Coimbatore 641021, Tamilnadu, INDIA
 Phone: +91 422 3223111 | Email: sales@vtorkcontrols.com, vtorkcontrols@gmail.com
 Website: www.vtorkcontrols.com
 © 2015, V-TORK CONTROLS®

