



INTERVALVE® POONAWALLA LTD.

The name says it all



Ball Valves Series Intervalve V9F, V9T

**Class 900, 1500, 2500 Regular / Full port, Flanged/Butt Weld Ends,
Floating design / Trunion Mounted design**



2/3-PIECE BALL VALVES/ 2-WAY.

- Maintainace free live loaded double sealing stem packing ensures high cycles life and positive sealing.
- ISO 5211 Mounting pad
Allows for mounting of actuator.
- Blow-Out Proof Steam.

Authorised Dealer;
PUSHKARNA SALES PVT LTD.
4772. Hauz Qazi. Delhi-110006.
Phones; 011-43675881/9818453355.
Email; sales@pushkarnasales.com
Site; www.pushkarnasales.com

These High Performance Ball valves are available in Class 900 to 2500 for Floating as well as Trunion Design

A floating ball design offers efficient sealing with simple construction. As the name indicates, the ball has some freedom to move along the axis of the pipeline, which offers efficient downstream sealing. When line pressure is applied to the closed ball, it moves slightly (or floats) downstream to maintain contact with the downstream seat where primary sealing occurs. A quarter turn motion from full open to full close ensures quick open-close action, an inherent advantage for automatic remote control application. Floating ball valve offers effective bi-directional sealing.

Trunion mounted design offers precise locational accuracy for the ball within the upstream and downstream seat, which ensures leaktight sealing with lower operative torques. The sealing takes place by allowing the seats to move towards the ball. This design ball valves can hold very high pressures.

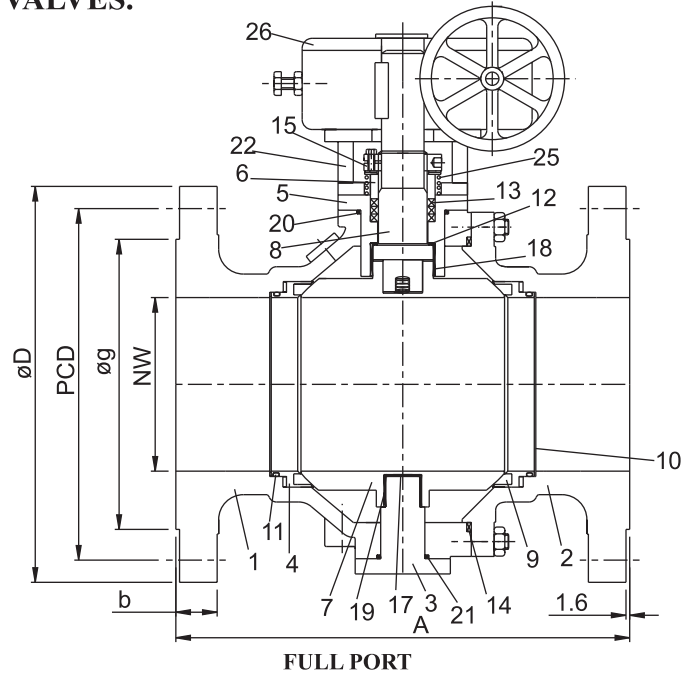
Conformity to codes & standards:

General design & manufacturing.	:	EN 17292, API-6D
Valve dimensions.	:	ANSI B 16.10, B 16.5
Valve inspection & testing	:	EN 12266 Class 900
	:	Hydro shell : 228 kg/sq.cm
	:	Seat test : 153kg/sq.cm
	:	Air seat : 7 kg/sq.cm
Special features	:	Fire Safe to API 607
	:	Metal to Metal Seat

Technical specification:

Valve type	:	Floating / Trunion Mounted design ball valve.
Body type	:	2pc standard / 3pc optional
Seat Type	:	Soft / Metal
End connection	:	Flanged, butt weld.
Size range	:	15 NB to 200 NB for reduced port / full port.
Pressure rating	:	Class 900, 1500, 2500
seat leakage	:	Class VI-Soft Seat, Class V-Metal Seat
Operation	:	Hand lever / Gear / Actuator (Electrical / Pneumatic).

CLASSC 900 BALL VALVES.



Size	Dimensional Data In mm								No. of Holes
	A	$\varnothing P$	NW	$\varnothing D$	b	$\varnothing g$	PCD	Hole \varnothing	
15	216	9.5	13	121	22.5	35	82.5	23	4
20	229	13	19	130	25.5	43	88.9	23	4
25	254	19	25	149	29	51	101.6	26	4
32	280	25	32	159	29	64	111.1	26	4
40	305	32	38	178	32	73	123.8	29	4
50	368	38	50	216	38.5	92	165.1	26	8
65	419	50	65	244	41.5	105	190.5	29	8
80	381	58	76	241	38.5	127	203.2	26	8
100	457	76	98	292	44.5	157	234.9	32	8
150	610	98	148	381	56	216	317.5	32	12
200	737	144	198	470	63.5	270	293.7	39	12

Standard material of construction :

1/2. Body/Side Piece	: WCB, CF8, CF8M, CF3, CF3M, F304, 316, CN7M, WCC / LCB / Duplex	13. Gland Packing	: PTFE, Grafoil.
3/4/5. Trunion/ Seat Retainer/ Stuffing Box	: WCB, CF8, CF8M, CF3, CF3M, F304, F316, CN7M.	14. Body seal	: PTFE, Grafoil, SWG.
6. Gland	: AISI 410, 304, 316, 316L, 304L, Monel, Alloy20, Hast-B, C.	15. Check Nut	: Carbon steel, AISI304.
7. Ball	: AISI 410, 304, 316, 316L, 304L, WCC / LCB / Duplex	16. Thrust Washer	: GFT.
8. Stem	: AISI 410, 304, 316, 316L, 304L, Monel, Alloy20, Hast-B, C.	17. Body stud/nut	: B7/2H, B8/B8M.
9. Seat	: PTFE, GFT, CFT/Metal to Metal Delrin, Nylon.	18/19. Stuffing Box/ Trunion Bearing	: AISI 316 Backed PTFE.
10. Seat Spring	: Inconel, AISI 304.	20/21. Stuffing Box/ Trunion Seal	: Grafoil, PTFE.
11. O'ring	: Viton.	22. Bracket	: Carbon steel.
12. Stem Washer	: GFT.	23. Gland nut	: Carbon steel.
		24. Belleville spring	: Spring steel.
		25. Antistatic spring	: SS 304.
		26. Gear Box	: Std.

Valves upto 50 NB with lever & higher sizes with gear.

Valves upto 50 NB are Floating Design & above 50 NB Trunion Mounted Design.

Flanged to ANSI B16.10. Butt Weld End Valves Face to Face dimensions are as per API-6D.

All sizes of ball valves can also be provided with Gear, Actuator (Electrical/ Pneumatic).