

spirax

Authorised Dealer:
 PUSHKARNA SALES PVT LTD.
 4772, Hauz Qazi, Delhi-110006.
 Telefax : 011-23217239/23216378.
 Emails : pspl@airtelmail.in,
sales@pushkarnasales.com
 Site : www.pushkarnasales.com

Ball Float Steam Trap FT - 44

Description :

The FT-44 is a carbon steel ball float steam trap with integral automatic air venting facility. It is available with horizontal flanged connections only.

Sizes and end connections :

100NB

Flanged : ANSI B 16.5 class 300.

Note : Available with IBR certificate

Limiting Conditions :

Maximum operating conditions

PMO - Max. operating pressure = 32,5 bar (a)

TMO - Max. operating temperature = 427° C

Cold hydraulic test pressure = 65,0 bar (a)
 (without internals)

Available types :

FT 44 - TV with Built in the mostatic air vent

FT 44 - 4,5 Max. Differential pressure of 4,5 bar

FT 44 - 10 Max. Differential pressure of 10 bar

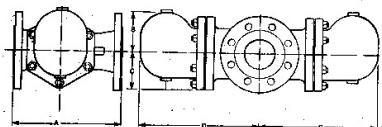
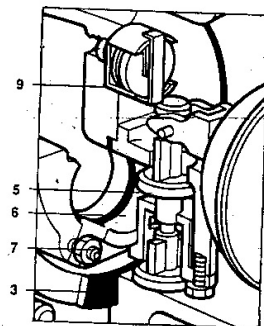
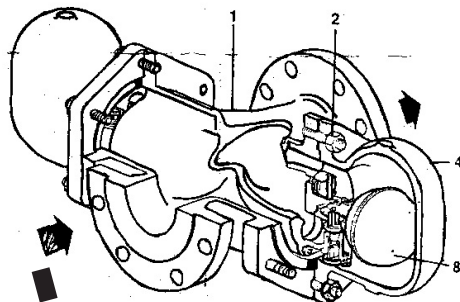
FT 44 - 14 Max. Differential pressure of 14 bar

FT 44 - 21 Max. Differential pressure of 21 bar

FT 44 - 32 Max. Differential pressure of 32 bar

Materials :

No Part	Material	
1. Base	Cast Steel	ASTM A 216 Gr. WCB
2. Cover	Carbon Steel	High Tensile
Studs & Nuts		Gr 8,0
3. Cover Gasket	Reinforced exfoliated Graphite	
4. Cover	Cast Steel	ASTM A 216 Gr. WCB
5. Main Valve	Stainless Steel	BS 3146 Pt.2 ANC 2.
Assly.		
6. Main Valve	Asbestos Free Graphite Base	
Assly. Gasket		
7. Main Valve	Carbon Steel	
Assly. Studs & Nuts		
8. Ball Float	Stainless Steel	ASTM A 240
	TVpe 304	
9. Air Vent	Stainless Steel	—
Assly.	TVpe 304	



Withdrawal distance

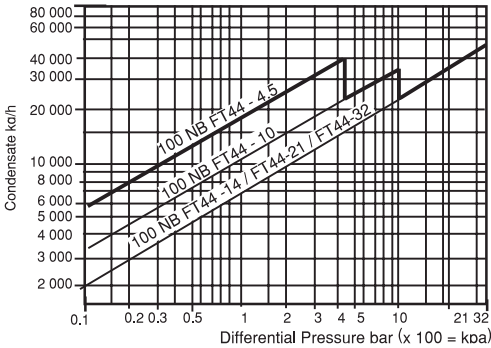
Dimensions (approx.) mm

NB	A	B	C	D	E
100	365	140	123	390	250

6.2

Installation :

The trap must be fitted with the float arm in a horizontal plane so that it rises and falls vertically with the direction of flow indicated on the base.



How to Specify :

1-100 NB SPIRAX MARSHALL FT 44-4.5 Steam Trap flanged ASA 300.

Maintenance :

Before undertaking any maintenance on the trap, it must be isolated from both supply line and return line and any pressure allowed to safely normalise to atmosphere. The trap should then be allowed to cool. Maintenance can then be carried out with the trap still in line. When re-assembling, ensure that all joint faces are clean and that the dowels locate fully in the covers. Once completed, open isolation valves slowly and check for leaks.

How to fit Main Valve Assembly :

Remove cover nuts and cover. Undo nuts and remove complete main valve assembly and replace with new assembly and tighten nuts. Reuse or replace ball float as required. Replace cover ensuring the dowels are located correctly. Retighten cover nuts evenly to the specified torque. Always use new gaskets.

How to fit Air Vent Assembly :

Remove spring clip, capsule, spacer plate and unscrew seat. Fit new seat and frame, assemble spacer plate, fit new capsule and clip.

Spare Parts : (Refer figure below)

The spare parts available are shown in heavy outline. Parts drawn in broken lines are not supplied as spares

AVAILABLE SPARES	
*Main Valve Assly.	A,B,D
*Ball Float	C
Air Vent Assly.	E
*Set of all Gaskets	B,T

*The spare thus marked are interchangeable with those used in the 50 NB FT 20 trap but 2 sets will be required for completely refurbishing the 100 NB FT 44 trap.

How to Order :

Always order spares by using the description given in the column headed 'Available Spares' in 'User Manual' and stating the size and type of trap.

Example1 :-Air Vent Assly. For SPIRAX MARSHALL 100 NB FT 44 4.5 bar Steam Trap. Flanged to ASA 300

6.2

