

Authorised Dealer;  
 PUSHKARNA SALES PVT LTD.  
 4772, Hauz Qazi, Delhi-110006.  
 Telefax : 011-23217239/23216378.  
 Emails : psp1@airtelmail.in,  
 sales@pushkarnasales.com  
 Site : www.pushkarnasales.com

## Forged Strainers F 600

### Description:

F 600 Y type Forged Steel Strainers with Stainless Steel Screen having 0.8 mm perforations as standard.

### Available Versions:

15,20,25 and 40NB.

Available with IBR certificate.

Other Screen perforations available on special order.

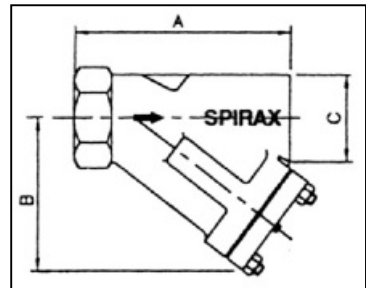
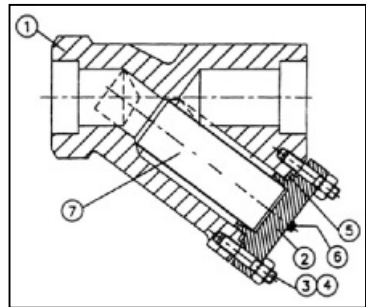
### Blow down or drain cock connections,

The cap can be drilled to 1/2"BSPT to enable a blow down or drain cock to be fitted.

### Pipe Connections:

Screwed BSPT/NPT and Socket weld ends

Also available with ASA-150, 300 & 600 weld-on flanges on request.



### Limiting Conditions:

PMO : Max. Op. Pressure in kg / cm. sq.

TMO : Max. Op. Temperature in Deg. C

Parameter	Screwed end	Socket Weld end
PMO	31.5	78.0
TMO	427	427
Hyd. Test	63.0	156.0

### Dimensions: (approximate) in mm.

Size NB	A	B	C
15	122	90	50
20	122	90	50
25	122	90	50
40	195	135	65

Gen.Tol.±3.0

### Material:

Sr.No	Descriptio	Material	Standard
1	Body	F.C.S	ASTMA105
2	Cap	F.C.S	ASTMA105
3	Studs	Steel	ASTMA 193Gr.-B7
4	Nuts	Steel	ASTMA194Gr.-2H
5	Gasket	Reinforced exfoliated graphite	
6	Drain Plug	F.C.S.	ASTMA 105
7	Screen	St. Steel	ASTMA 240 Gr.-304

8.5