

Authorised Dealer:
 PUSHKARNA SALES PVT LTD.
 4772, Hauz Qazi, Delhi-110006.
 Telefax : 011-23217239/23216378.
 Emails : psp1@airtelmail.in,
 sales@pushkarnasales.com
 Site : www.pushkarnasales.com

Moisture Separator Cast Steel

Description:

The Cast Steel Moisture Separator is designed to remove entrained water particles from steam so that they can be drained away as condensate.

Available Sizes & Pipe Connections:

15, 20NB
 Screwed BSPT/NPT
 Available with I BR test certificates on request.

Limiting Conditions:

PMO-Max. Operating Pressure = 31.5 kg/cm²
 TMO-Max. Operating Temperature = 427°C.
 Cold Hydraulic test pressure = 63 kg/cm²

Material:

No	Part	Material	Specification
1.	Body	Cast Steel	ASTM A 216 Gr WCB
2.	Baffle Plate	Cast Steel	ASTM A 216 Gr WCB
3.	Cover	Cast Steel	ASTM A 216 Gr WCB
4.	Gasket	Asbestos free Synthetic fibre	
5.	Hex.Hd Bolt	Carbon Steel	H.T. IS 1367 Gr.8.8

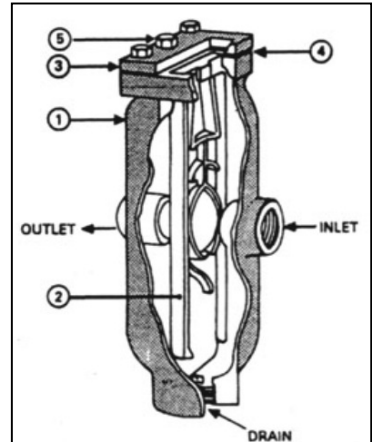
Dimensions: (approx.) in mm.

Size	Dimensions			
	A	B	C	D
15NB	70	89	110	213
20NB	83	115	143	248

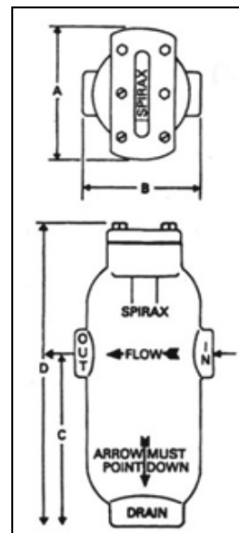
General Tolerance ± 3

How to Specify:

Example: 20 NB BSPT, SPIRAX MARSHALL Cast Steel Moisture Separator, IBR.



8.6



Available Sizes:

25,40,50,80,100,150&200NB.

Available with IBR test certificates, on request.

Flange Connections:

BS 10 Table F, H, J, K; ANSI B 16.5

Class 150, 300, DIN ND 10,16.25 & 40.

Limiting Conditions:

For IBR

Body design conditions : 32kg/cm² at 427°C.

Cold hydraulic test pressure : 64 kg/cm²

How to Specify:

Example: 40 NB SPIRAX MARSHALL
Cast Steel Moisture Separator, Flanged BS 10
Table 'K' IBR.

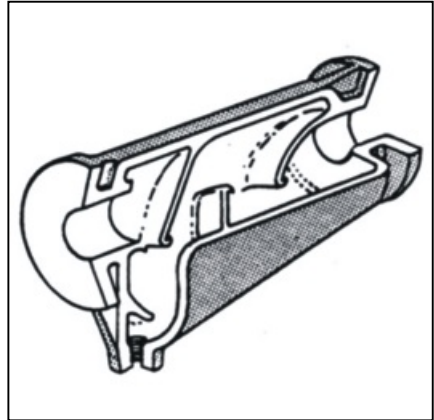


TABLE 1

PMO & TMO For different flanges.

	Max. Working Pressure	Max. Working Temp. °C.
TAB 'F'	10.5	427
TAB 'H'	17.5	427
TAB 'J'	24.6	427
TAB 'K'	31.6	427
ASA '150'	10.5	280
ASA '300'	28.0	427
DINND '10'	7	400
DINND '16'	11.5	400
DIN ND '25'	20.0	427
DIN ND '40'	30.0	427

TABLE 2

Dimensions: (approx.) in mm.

Size	Dimensions			
	A	B	C	E
25 NB	280	70	98	20 NB
40 NB	368	89	111	20 NB
50 NB	457	121	146	25 NB
80 NB	483	152	175	25 NB
100NB	692	197	238	25 NB
150 NB	706	375	232	25 NB
200 NB	762	416	305	40 NB

General Tolerance : ± 3

