

spirax

Authorised Dealer:
 PUSHKARNA SALES PVT LTD.
 4772, Hauz Qazi, Delhi-110006.
 Telefax : 011-23217239/23216378.
 Emails : psp@airtelmail.in,
 sales@pushkarnasales.com
 Site : www.pushkarnasales.com

Pipeline Connector PC3_

Description

The PC3_ range of pipeline connectors are designed for use with swivel connector steam traps. The PC3_ is a pipeline connector with integral stop valve which isolates upstream of the steam trap. The stop valve is a piston type. The PC3_ is available with optional connections for the draining of upstream pipework and trap venting upstream of the steam trap.

Standards

This product fully complies with the requirements of ASME B16.34 Class 600 standard.

Certification

IBR approved Pipeline Connector available on request.

Note : All certification / inspection requirements must be stated at the time of order placement.

Sizes and pipeline connections

DN15, DN20 screwed BSPT or socket weld ends to ANSI B 16.11 Class 3000

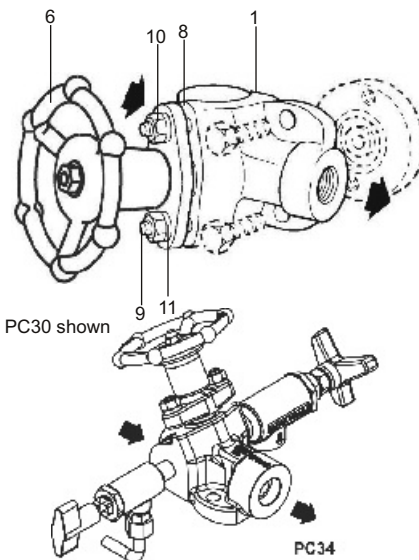
Pressure / temperature limits

Body design condition ANSI Class 600

Designed for a maximum cold hydraulic test pressure of 84 bar g

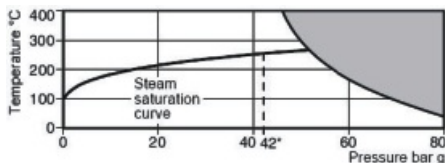
Available types

Type	Description
PC30	Pipeline connector with upstream isolation valve
PC34	Pipeline connector with upstream isolation valve, trap bypass valve (DV1) and trap vent valve (DV2)



PC30 shown

PC34



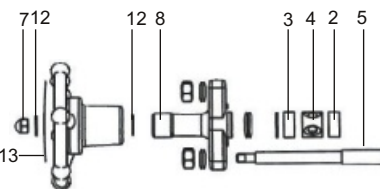
■ The product must not be used in this region.

* PMO Maximum operating pressure recommended for saturated steam

Materials

No. Part	Material	
1 Body	Carbon steel	ASTM A105
2 Lower ring	Graphite and stainless steel	
3 Upper ring	Graphite and stainless steel	
4 Lantern bush	Stainless steel	ASTM A276 Gr.410
5 Stem-Piston	Stainless steel	ASTM A276 Gr.316
6 Handwheel	SG Iron	SG Iron 400 / 15A
7 Handwheel nut	Stainless steel	
8 Bonnet	Carbon steel	ASTM A105
9 Studs	Carbon steel	ASTM A196 Gr.B7
10 Nuts	Carbon steel	ASTM A194 Gr.2H
11 Washers	Spring steel	
12 Plain washers	Stainless steel	
13 Nameplate	Stainless steel	

PC34 shown



View showing valve internals

6.7

Kv values

All sizes Kv 1.8

For conversion: $Cv(UK) = Kv \times 0.963$, $Cv(US) = Kv \times 1.156$

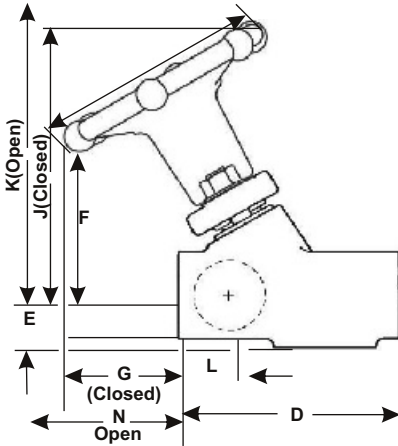
The Kv stated is for each valve rather than the complete connector.

How to order

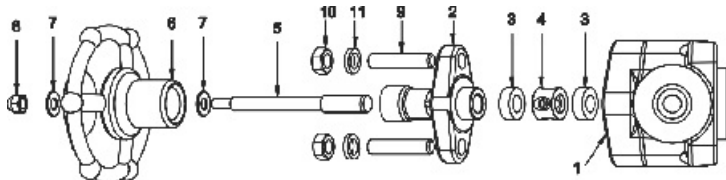
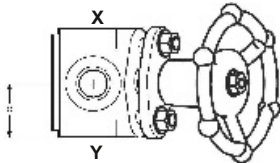
Example: 1off Spirax Marshall PC30 pipeline connector in forged austenitic stainless steel body with integral piston valve, 1/2" socket weld to ANSI B 16.11 Class 3000.

Dimensions / weights (approximate) in mm and kg

C	D	E	F	G	H	J	K	L	N	Weight
35	96	22	61	48	96	115	130	22	57	2.3



X and Y denote position of DV1 and DV2 depressurisation valve connection.



Safety information, installation and maintenance

For full details see the Installation and Maintenance Instructions supplied with the product.

Installation note:

There are two criteria which must be satisfied to ensure that the swivel connector trap will operate correctly and ensure effective condensate removal:

1. The PC3_ shall be installed with flow in the direction of the arrow. Flow can be horizontal (left to right or right to left), vertical or inclined.
2. The connection face for the swivel connector steam trap must be in the vertical plane.

Ensure that there is sufficient access to the handwheel to allow proper operation.

After installation it is recommended that the pipeline connector is insulated to minimize radiated heat losses and to protect personnel from burns risk: Please note-some steam trap types should not be insulated.

The PC and trap are joined by a high integrity spirally wound gasket joint. It is important that no damage is caused, e.g. by weld, weld splatter, knocks, etc. to the trap gasket face. Hence care must be taken when installing the PC into the pipe work. It is recommended that the trap be installed immediately the PC is in the pipe work. Alternatively, the trap can be joined to the PC prior to installation.

Spare parts

The spare parts available are shown in heavy outline. Parts drawn in broken line are not supplied as spares. For ease of replacement an extractor tool is available for removing the sealing rings.

Available spares

Sealing ring set	3
Valve internals set	3,4,5,7,8
Extractor tool	Not shown

How to order spares

Always order spares by using the description given in the column headed Available spares and state type and size of equipment.

Example: 1off Sealing ring set the integral piston valve on a PC3_ pipeline connector having 1/2" socket weld connections.

Recommended tightening torques

No	Item	or mm	N m	
8	Handwheel nut	10 A/F	M6	0.1
10	Nuts	14 A/F	M8	