

Authorised Dealer:  
 PUSHKARNA SALES PVT LTD.  
 4772, Hauz Qazi, Delhi-110006.  
 Telefax : 011-23217239/23216378.  
 Emails : psp1@airtelmail.in,  
 sales@pushkarnasales.com  
 Site : www.pushkarnasales.com

## Safety Valve Pop Type 15NB SV11

### Description:

Safety Valve Model SV11 is a high lift safety valve with gun metal seat, valve and body and brass internals suitable for use on steam, air and water.

**Sizes: 15 NB**

**Pipe Connections:** Screwed B.S.P.T.

### Limiting Conditions:

Minimum blow off pressure : 0.34 bar g

Maximum blow off pressure : 17.3 bar g

For following set pressure ranges, 5 colour coded springs are available.

White - 00 to 15 psi	Blue - 75 to 125 psi
Yellow - 15 to 35 psi	Red - 125 to 250 psi
Green - 35 to 75 psi	

### Materials

No.	Part	Material	Standard
1	Body	G.M.	B.S. 1440 LG2
2	Valve Head	G.M.	B.S. 1440 LG2
3	Spring	Spring Steel	I.S. 4454 part IV
4	Spindle	Brass	I.S. 4170
5	Bonnet	Brass	I.S. 4170
6	Adjustment Cap	Brass	I.S. 4170
7	Lock Nut	Brass	I.S. 4170
8	Ring	C 20	I.S. 2062
9	Dowel Pin	SS 304	ASTM A 276

### Available Spares:

Valve Head & Spindle Kit  
 Spring Kit

### How to order:

Always order spares by using the description given in the column headed Available Spares. For Codes Ref. User Manual.

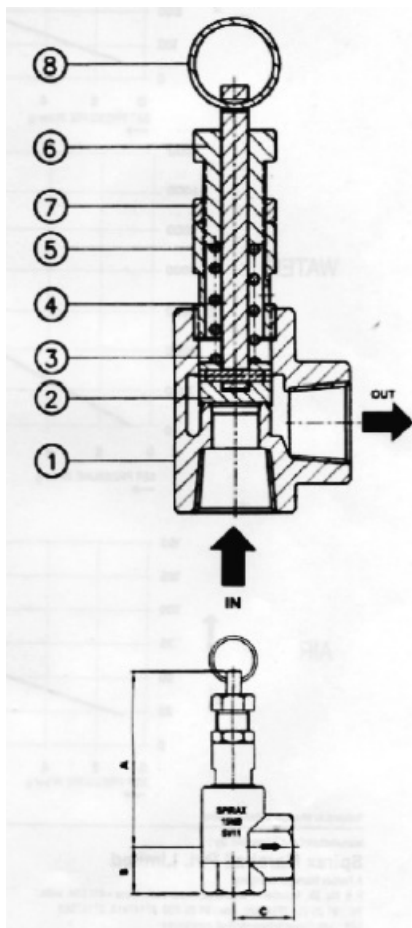
### Installation:

The Safety Valve should always be fitted with the centre line of the spring Housing vertically above the valve.

If the discharge pipe is not self draining then a separate drain pipe with continuous fall should be provided.

The outlet from the Safety Valve should be arranged to discharge to a safe place where it is visible but can not cause damages or injury to persons.

These Valves are suitable for mounting on boilers.

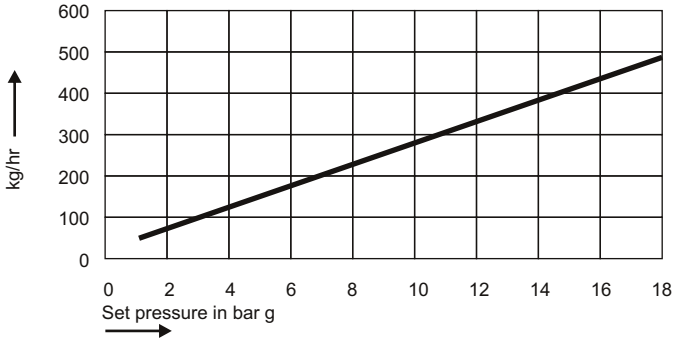


Dimensions: (approx) in mm.

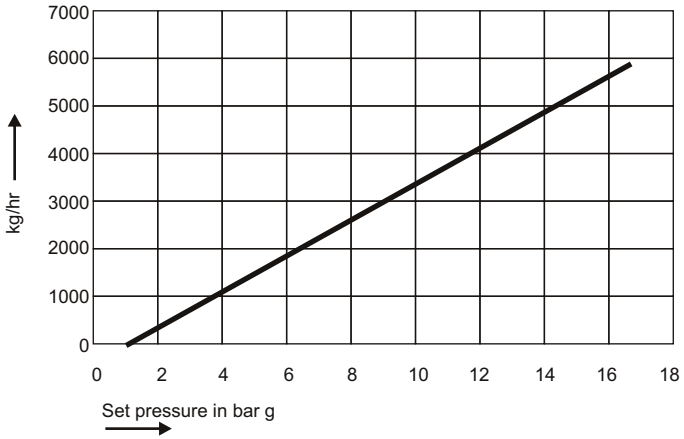
Size NB	A	B	C	Weight Kg. Approx.
15	87	23	30	0.42

**Discharge capacities with 10% accumulation above the set pressure for various fluids shown below**

**STEAM**



**WATER**



**AIR**

