

Authorised Dealer:  
 PUSHKARNA SALES PVT LTD.  
 4772, Hauz Qazi, Delhi-110006.  
 Telefax : 011-23217239/23216378.  
 Emails : pspl@airtelmail.in,  
 sales@pushkarnasales.com  
 Site : www.pushkarnasales.com

## Thermodynamic Steam Traps TD-3

### Description:

Thermodynamic steam trap with inbuilt strainer and full stainless steel construction, best suited for header and mainline drains and drop legs.

### Sizes and Pipe Connections:

15NB and 20NB  
 Screwed BSPT/NPT & Socket Weldable ends

### Note:

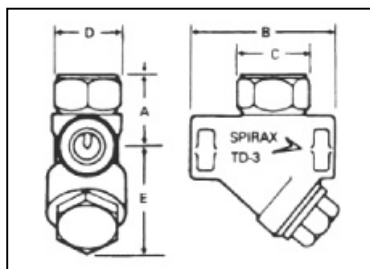
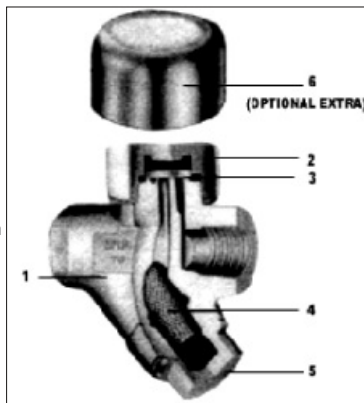
- Available with ASA - 150, 300 & 600 weld on flanges on request.
- Available with IBR certificate

### Limiting Conditions:

Maximum operating conditions  
 PMO - Max. operating pressure for screwed end 31.64 kg/cm<sup>2</sup>  
 TMO - Max. operating temperature 427°C.  
 Hydraulic test pressure for screwed ends 63.0 kg/cm<sup>2</sup>  
 PMO - Max. operating pressure for socket-weld ends 44.0 kg/cm<sup>2</sup>  
 Hydraulic test pressure for socket weld ends 88.0 kg/cm<sup>2</sup>  
 PMOB - Max. operating back pressure on outlet should not exceed 80% of inlet pressure.  
 Minimum inlet pressure for satisfactory operation 0.25 kg/cm<sup>2</sup>  
 On special request TD-3 can be supplied for  
 PMO - Max operating pressure for socket-weld ends 55.0 kg/cm<sup>2</sup>  
 TMO - Max. Operating temperature 450°C.

### Materials:

Sr. No	Part	Material	Standard
1.	Body	St. Steel	ASTM A 743 GR-CA40
2.	Cap	St. Steel	ASTM A 743 GR-CA40
3.	Disc	St. Steel	ASTM A 743 GR-CA 40
4.	Strainer Screen	St. Steel type 304	ASTM A 240
5.	Strainer Cap	St. Steel	ASTM A 743 GR CA 40



### Dimensions (Approx.) in mm

Size	A	B	C	D	E
15 NB	42	78	50	44	57
20 NB					

6.5

### Optional extras:

ISOTUB - An insulating cover (part no. 6). To prevent the trap being unduly influenced by excessive heat loss such as when subjected to low outside temperatures, wind, rain etc.

### Installation:

Preferably on horizontal pipe - can be fitted in other positions if unavoidable.

### Salient Features:

1. Complete stainless steel construction ensures better mechanical and corrosion resistant properties.
2. The disc and seat, hardened by induction hardening process to about 45 Rc to enable withstand continuous water hammering condition.
3. Seat integral part of the body eliminates leakage - prone joints and gaskets.
4. Condensate entry below the disc concentric to disc/seat ensures dean and parallel lift of disc with reference to seat, eliminating any localized wear and tear.
5. An inbuilt strainer screen of adequately large area ensures long and trouble free operation.

### Available spares:

The spare parts available are shown in heavy outline. Parts drawn in broken line are not supplied as spares.

AVAILABLE SPARES	
Strainer Screens Disc (Pkt of 3)	A+B
Isotub	C

### How to order:

Always order spares by using the description given in the column headed Available Spare and stating the size and type of trap.

Example: 1-Strainer Screen for 15 NB Spirax Marshall TD 3 Thermodynamic Steam Trap.

### How to Service:

Remove isotub if fitted and unscrew cap using spanner. Do not use Stillsons or wrench of similar type, which may cause distortion of the cap. If the disc and body seating faces are only slightly worn they can be refaced by lapping individually on a flat surface such as a surface plate. A figure of eight motion and a diluted 1:6 lapping compound such as 6 micron Al. Oxide gives the best results.

If the wear is too great to be rectified by simple lapping, the seating faces on the body must be ground flat and then lapped and the disc replaced by a new one. The total amount of metal removed in this way should not exceed 0.25 mm or 0.010". Alternatively, customers may prefer to take advantage of our reconditioned trap scheme which allows this work to be done to original production standards.

When re-assembling, the disc is normally placed in position with the grooved side in contact with body seating face. Screw on cap; no gasket is required but a suitable high temperature anti-sieze grease should be applied to the threads.

### To clean or Replace Strainer:

Unscrew strainer cap using spanner, withdraw screen and clean or if damaged replace with new one.

To re-assemble, insert screen in cap, then screw cap into place. No gasket is required but a fine smear of Molybdenum Disulphide grease should be applied to the threads.

### Capacity Chart

