

spirax

Authorised Dealer:
 PUSHKARNA SALES PVT LTD.
 4772, Hauz Qazi, Delhi-110006.
 Telefax : 011-23217239/23216378.
 Emails : pspi@airtelmail.in,
 sales@pushkarnasales.com
 Site : www.pushkarnasales.com

Ball Float Steam Trap FT – 14

Description:

FT-14 ball float steam trap is a condensate drain trap of Cast Iron body and Stainless Steel internals.

Available Sizes & Pipe Connections:

40 & 50 NB screwed BSPT / NPT

Note: Available Non-IBR only.

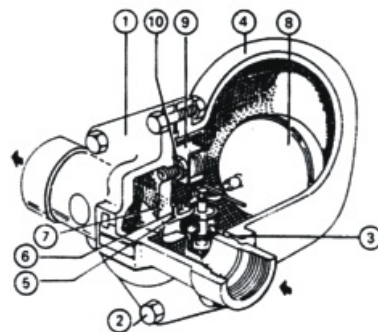
Available Types & Limiting Conditions:

FT 14 TV with Thermostatic air vent

FT 14 SLR with Steam lock release

Maximum operating conditions: Note:

Type	PMO	TMO	
FT 14-4.5	4.5 bar	156°C	PMO Max. Operating Pressure
FT 14- 10	10 bar	184°C	TMO
FT 14- 14	14 bar	198°C	Max. Operating Temp.



FT 14 TV

With thermostatic air vent

40, 50 NB

6.2

Body Design Conditions

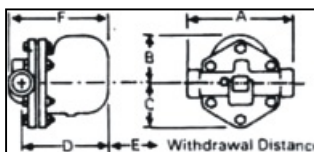
16.3 kg/cm² (16 bar) at 120°C.

13.24 kg/cm² (13 bar) at 220°C.

Cold Hydraulic test pressure 32.6 kg/cm² (32 bar)

Material:

Sr. Part to.	Material	Standard
1 Body	Cast Iron	IS 210 FG 260
2a) Cover bolts	Carbon Steel	H.TIS 1367 Gr. 8.8
2b) Cover Nuts	Carbon Steel	H.T.IS1367Gr.8
3 Cover Gasket	Reinforced exfoliated graphite	
4 Cover	Cast Iron	IS 210 FG 220
5 Main Valve Assly with Erosion	Stainless Steel Type 304	ASTMA276
6 Main Valve Assly Gasket	Reinforced exfoliated graphite	
7 Main Valve Assly, Studs & Nuts 40 & 50 NB	Carbon Steel	H.TIS 1367 Gr8
8 Ball Float	Stainless Steel Type 304	ASTM A-240
9 Air Vent Assly.	Stainless Steel Type 316	ASTM A-240
10 Air Vent Seat Gasket	Stainless Steel Type 304	ASTM A-240
11 SLR Unit	Stainless Steel Type 410	ASTMA-276
12 SLR Unit Gasket	C-20	IS 2062
13 SLR Seat	Stainless Steel Type 410	ASTM A-276
14 SLR Seat Gasket	Stainless Steel Type 304	ASTM A-240
17 Deflector Plate	Stainless Steel Type 304	ASTM A-240



Dimensions (approx.) in mm.:

Size	A	B	C	D	E	F	Wt. kg.
40 NB	270	127	110	244	200	274	17.5
50 NB	300	140	125	250	205	286	22

General Tol: ± 3

