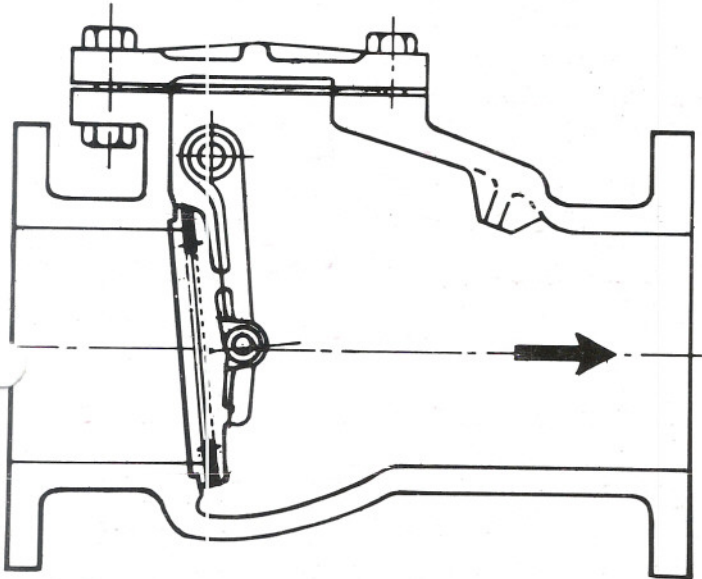


# REFLUX (NON-RETURN) VALVES

**SWING TYPE, SINGLE DOOR  
CAST IRON**



Normal Standard : IS : 5312 (Part-I)

Other Standard : BS, DIN, or as per Customer's requirements.

Operation Arrangement : Counter weight or Dashpot may be provided even with integrated hydraulic circuit.

Special features : Bye Pass Valve. Foot mounting arrangement Inspection Door.

End Connection : Flanges may be as per Customer's requirements.

Certification Mark : IS Certification Mark may be provided.

Test Pressure

Range	P. N. Rating	Body	Seat
50-125 mm	1.6	24kg/cm <sup>2</sup>	16kg /cm <sup>2</sup>
150-300 mm	1.0	15kg/cm <sup>2</sup>	10kg/cm <sup>2</sup>
350-600 mm	0.6	9kg/cm <sup>2</sup>	6kg/cm <sup>2</sup>

Dimensions in mm

Size	50	65	80	100	125	150	200	250	300	350	400	450	500	600
Length	200	240	260	300	350	400	500	600	700	800	900	1000	1100	1300
Hinge Pin	10	10	10	12	12	16	20	22	25	25	32	32	38	38



**Kalpana Valves Manufacturing Co. (P) Ltd.**

Regd. Office :

Ichapur H.I.T. Road, Sastibagan, Santragachi, Howrah - 711 104 (W.B.)