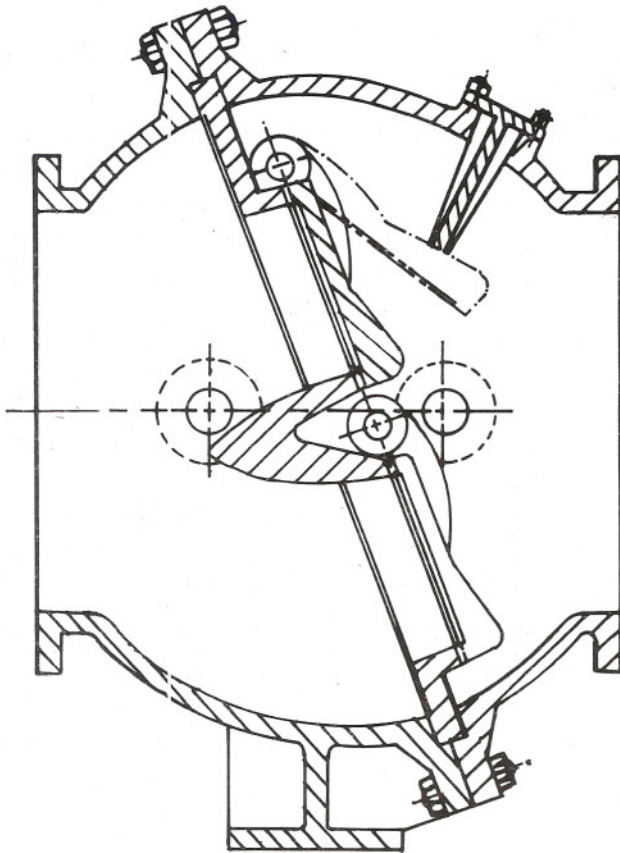


REFLUX (NON-RETURN) VALVES

SWING CHECK TYPE, MULTI DOOR PATTERN CAST IRON



Normal Standard : IS : 5312 (Part-II)

Other Standard : BS, DIN, or as per Customer's requirements.

Operation Arrangement : Counter weight or Dashpot may be provided even with integrated hydraulic circuit. No. of doors may be two or three.

Special Features : Bye Pass Valve.

End Connection : Flanges may be as per customer's requirements.

Test Pressure

Test	PN-0.6	PN-1
Body	0.9	1.5
Seat	0.6	1.0

Dimensions in mm

Size	500	600	700	750	800	900	1000	1100	1200
Length over Flanges	815	914	1000	1045	1118	1250	1250	1396	1500
Overall Height	1150	1333	1446	1446	1634	1570	1730	2069	2250
Height of Centre from Duck Foot	600	685	750	750	850	815	915	1080	1175
Size of Duck Foot	200x250	254x254	300x375	300x375	300x375	300x375	300x375	400x450	400x450



Kalpana Valves Manufacturing Co. (P) Ltd.

Regd. Office :

Ichapur H.I.T. Road, Sastibagan, Santragachi, Howrah - 711 104 (W.B.)